

Model: JSMA-PIH30A7K

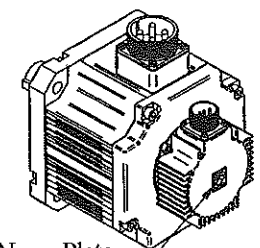
No.	Item	Symbol	Unit	Specification	No.	Item	Symbol	Unit	Specification
1	Drive	-	-	3 $\phi$ 220 VAC	13	Rotor Inertia	Jm	kg-cmf	39.95
2	Cooling Method	-	-	Totally Enclosed	14	Rated Power Rate	Q-R	Kw/s	91.32
3	Exciting Method	-	-	Permanent Magnet	15	Resistance	Ra	$\Omega$	0.275 $\pm$ 10%/2 $\phi$
4	Resolution	-	-	17BIT-INC	16	Inductance	L	mH	6.8 $\pm$ 10%/2 $\phi$
5	Rated Output	P-R	W	3000	17	Mech. Time Constant	Tm	ms	1.05 $\pm$ 10%
6	Rated Torque	T-R	N-m	19.1	18	Elect. Time Constant	Te	ms	24.69 $\pm$ 10%
7	Max. Torque	T-max	N-m	47.75	19	Insulation Class	-	-	Class F
8	Rated Speed	N-R	rpm	1500	20	Operation Temp.	T	$^{\circ}$ C	0-40
9	Rated Current	I-R	A	16	21	Operation Humd.	RH	%	<80
10	Max. Current	I-max	A	40	22	Storage Temp.	T	$^{\circ}$ C	-20 $\sim$ 60
11	Torque Constant	Kt	N-m/A	1.19 $\pm$ 10%	23	Storage Humd.	RH	%	<80
12	Voltage Constant	Ke	V/krpm	79.3 $\pm$ 10%	24	Weight	W	kgw	16.9

Pin	Signal
B	Vcc
I	Gnd
A	
C	
H	SD
D	SD-
G	
E	
F	FG

Encoder Wiring

Pin	Signal
A	U
B	V
C	W
D	FG

Motor Wiring



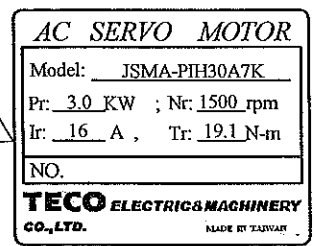
Name Plate for Notice

NOTE:  
Motor to be IP67

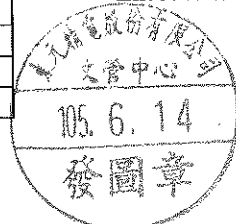
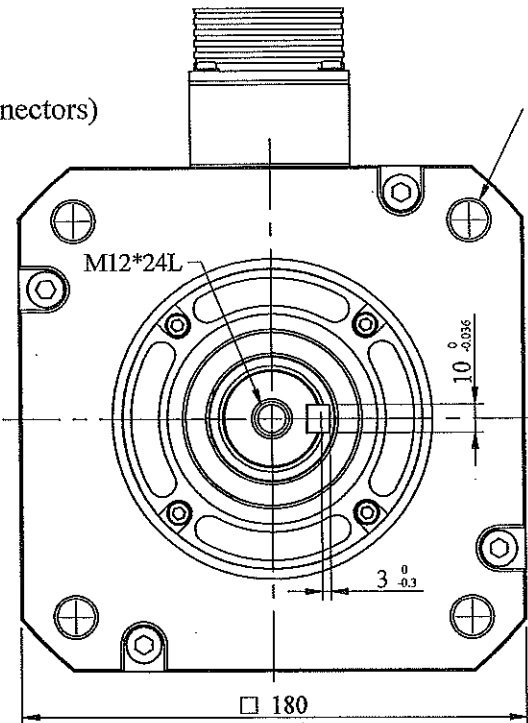
(excluding the shaft opening & connectors)



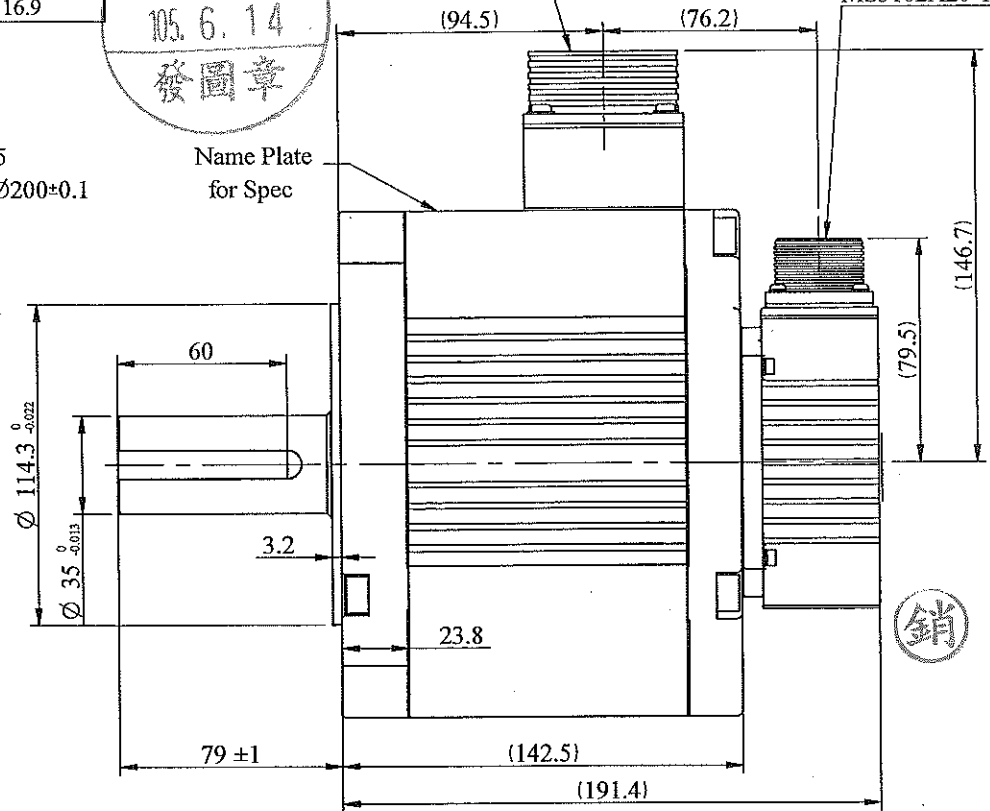
Name Plate for Notice



Name Plate for Spec



Name Plate for Spec



Military connector MS3102A32-17P

Military connector MS3102A20-18P

STANDARD TOLERANCE						APVD		SCALE		UNIT		NAME	
X	±0.5									mm		Servo Motor Outline Drawing	
.X	±0.2											JSMA-PIH30A7K	
.XX	±0.05											TITLE	
ANGLE	±30'	01	IS16608-01	Chin	6-8-'16	DWN	hao	04-01-'16	TECO ELECTRO DEVICES CO., LTD.		Dept. Design	DWG.NO.	D01B18302H3N7AD01
MATERIAL		REV	DESCRIPTION	SIGNATURE	DATE		SIGNATURE	DATE					